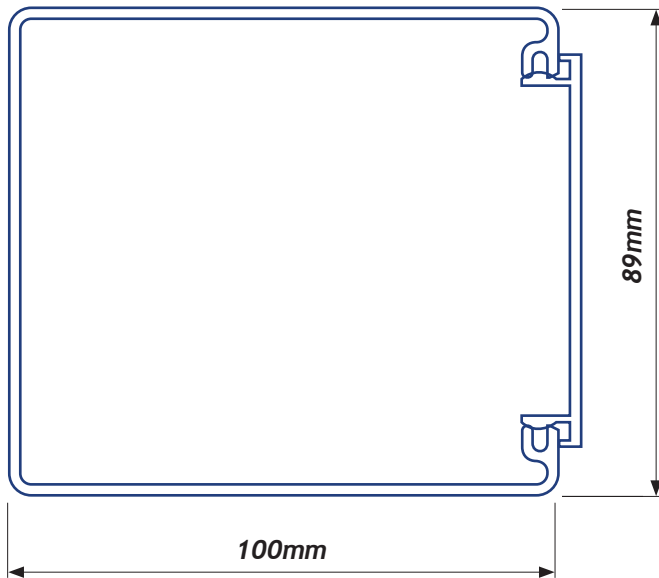


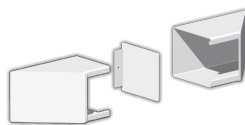
CAT 6A 91/1



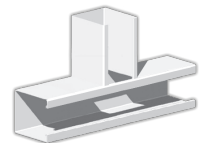
PROFILE LENGTHS	PART No.
3.1 metre	CAT 6A 91.1136
6.2 metre	CAT 6A 91.1166
Includes covers	

ACCESSORIES*

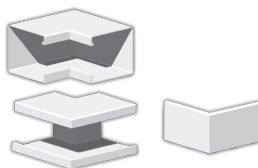
ENDCAPS	PART No.
90 Endcap	CAT 6A 91.0626
45 Endcap Left / Right	CAT 6A 91.1606



TEE JUNCTION	PART No.
Tee Junction	CAT 6A 91.1506



CORNERS	PART No.
Internal Corner	CAT 6A 91.1306
External Corner*	CAT 6A 91.1316
*Cover Included	



FIXING PLATES	PART No.
70mm Large Outlet PAIR	70.0040



FLAT BEND	PART No.
Flat Bend	CAT 6A 91.1406
Cover Included	



COLUMN SURROUNDS	PART No.
Surround 2 Corner	CAT 6A 91.1926
Surround 3 Corner	CAT 6A 91.1936
Surround 4 Corner	CAT 6A 91.1946

JOINER	PART No.
Joiner Specific PAIR	CAT 6 91.0106



*IMAGES ARE NOT TO SCALE / PROPORTION