

# Floor Channel Installation:

## QUALIFYING CONCRETE FLOORING CONDITIONS

### VERSION ONE

Fig.1

A. Establish a trench 10-20mm† wider than the profile (5-10mm each side) and 10-20mm\* deeper.

† Channel clearance can vary dependant on accuracies and tolerance of your particular application and your desired gap fill, i.e. a soft fill seal indicated in Fig.3.

\*Depth depends on required height level of the aluminium cover plate after projected floor coverings are placed.

B. Use the screws in the profile rivnuts to adjust the levels of your floor channel.

*Once the uniform height of the entire floor channel is set by the adjustment screws, lift the floor channel clear of the trench.*

Fig.2

Pour in the necessary amount of grout to provide a solid bed for the floor channel.

C. Push the floor channel back down into the trench to the limits of the prior-adjusted screws.

Fig.3

Pushing the channel down will displace some grout up the side walls of the floor channel and the trench wall.

D. Soft seal to floor level the side wall gaps with foam caulking product and finish with a silicone product for your desired finish.

† Varying channel depth options available. Contact Interserv to discuss your needs. Follow the installation process for all sizes.

Fig.1 Set heights then remove channel

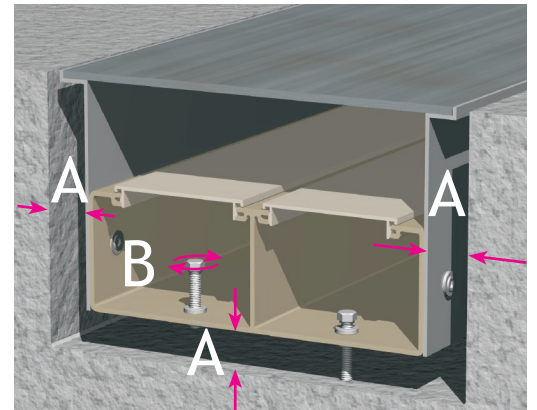


Fig.2 Pour then push channel into grout

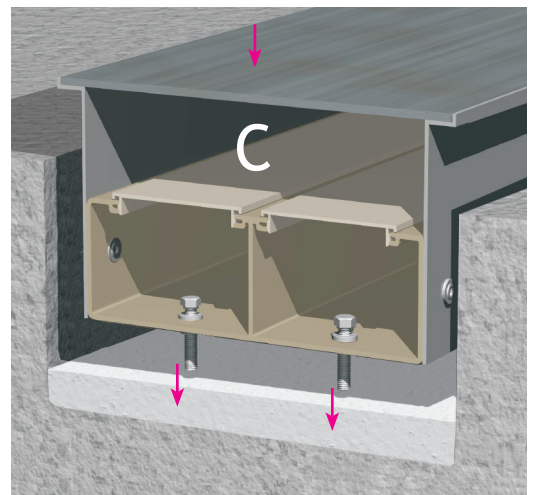
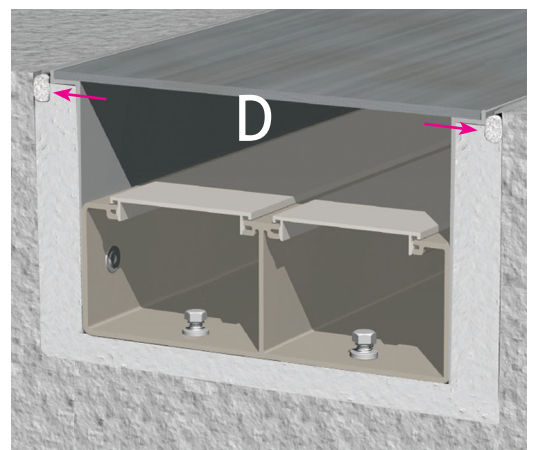


Fig.3 Soft seal the side gaps



0800 828 914  
[www.interserv.co.nz](http://www.interserv.co.nz)