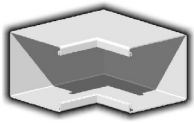


CAT 6A CAPABLE  
SKIRTING TRUNKING PROFILE

# CAT 6A/91/1



Internal  
Corners  
91.1306

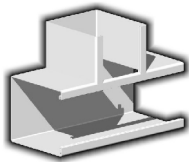
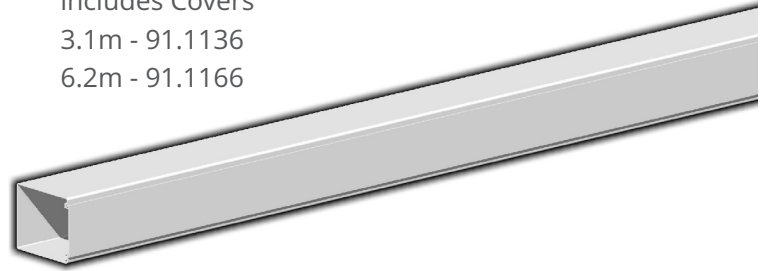


External  
Corners  
91.1316



External Cover  
- Incl with Ext Cnr  
70.0380

Profile Lengths  
includes Covers  
3.1m - 91.1136  
6.2m - 91.1166



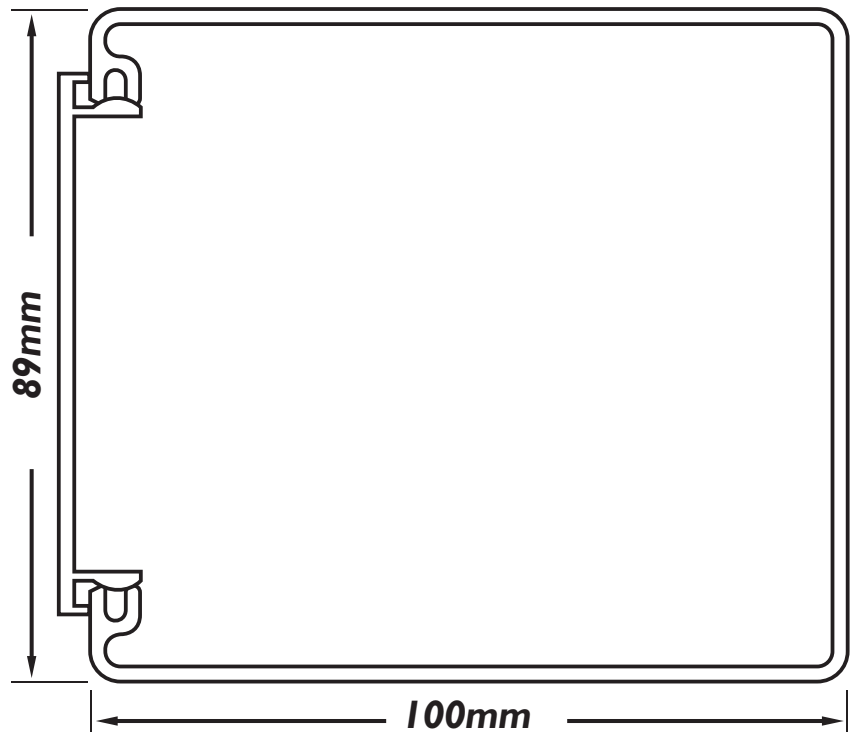
Flat T Intersection  
91.1506



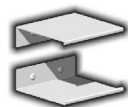
Flat Bend  
Left/right identical  
91.1406



Cover - incl  
with Flat Bends  
70.0470



Power and Data  
Fixing Plates -  
70.0040  
Supplied in pairs



Joining Pieces  
Rivet - screw fix  
Supplied in pairs  
91.0106

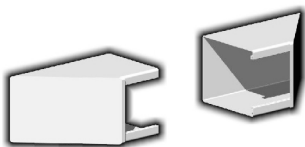
Column Surrounds:

Site dimensions required ,Corner cover pieces included

Two Sides - 91.1926.

Three Sides - 91.1936.

Four Sides - 91.1946, fabricated in two parts;  
includes Joiners and provision for dropper feeds



45 Degree End Caps  
Left or Right Ending  
91.1606



90 Degree End Cap  
Left or Right Ending.  
Rivet - screw fix to  
profiles. 91.0626